



Fig. 1: Elstein IRH/S infrared radiator. Picture on top and in the middle: front. Lower picture: back

Elstein IRH/S infrared radiators are ceramic radiators. Their radiating surface is arranged in six small longish and convexly designed radiation surfaces. The whole radiation surface of IRH/S is also convexly designed with a white glaze.

Such model is more advantageous for the radiation distribution in the room. Additionally also aesthetical requirements in the wellness sector are fulfilled.

The IRH/S radiator is fixed to the reflector by using the Elstein standard socket. Due to this kind of fixing and also due to the outer dimensions of the radiator a relatively simple retro- or backfitting of existing systems is possible.

The thermally insulating inner space of IRH/S has a share in improving the radiator's efficiency.

When connected to 230 V the Elstein IRH/S infrared radiators are available in wattages of 150, 200 and 250 W.

Special wattages and voltages are available on request.

## IRH/S

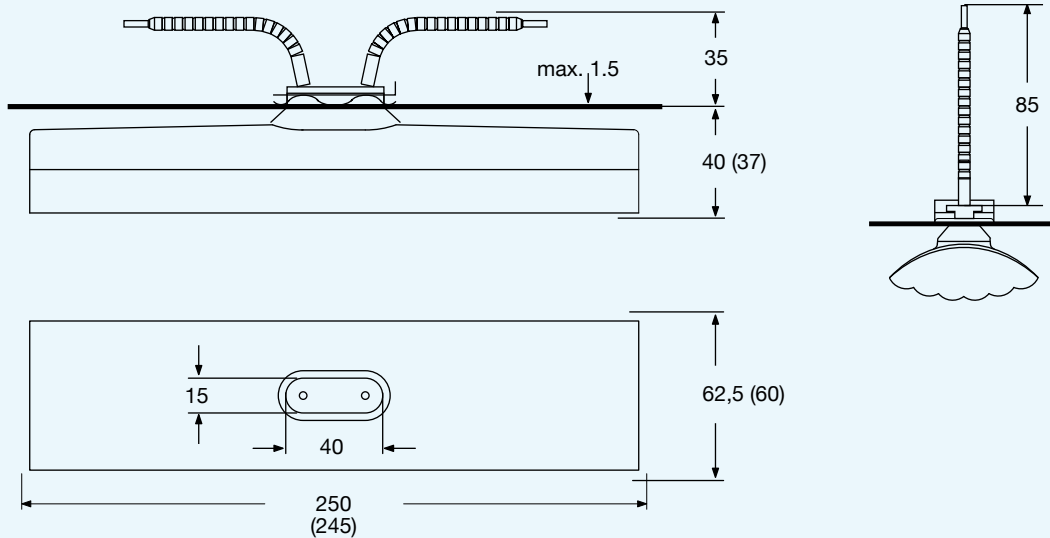
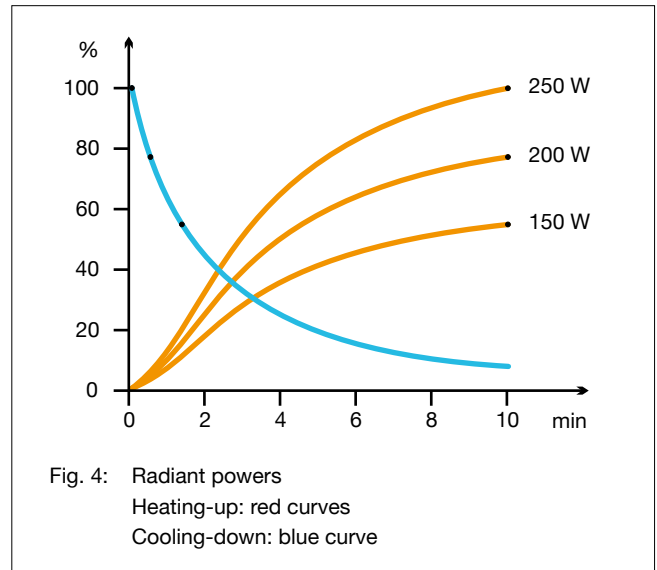
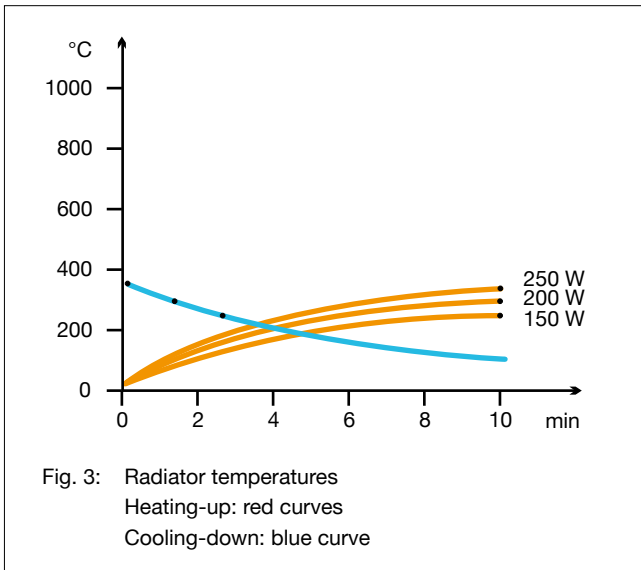


Figure 2: Mounting dimensions and radiator dimensions ( ) in mm



Type, weight, wattage	IRH/S	220 g	150	200	250	W
Surface rating			9.6	12.8	16.0	kW/m <sup>2</sup>
Typical operating temperature			260	300	350	°C
Maximum permissible temperature			400	400	400	°C
Wavelength range			3 - 10			µm

<p><b>Standard design</b></p> <p>Operating voltage 230 V Ceramic hollow casting White glaze Leads 85 mm Elstein standard socket Mounting set</p>	<p><b>Thermocouple radiators</b></p> <p>Designation T-IRH/S Integrated thermocouple Type K (NiCr-Ni) TC leads 100 mm</p>	<p><b>Variants</b></p> <p>Special wattages Special voltages Extended leads Leads with ring terminals</p>
--	--	--

The power can be controlled using proprietary power controllers or dimmers.

The national safety regulations must be complied with for the respective application, for example, the IEC or EN standard 60519-1 „Safety in electrical heating installations“, or the EN 60335 Part 2-53 „Special requirements for sauna heating devices and infrared cabins“.

Our instructions for mounting, operation and safety must be observed.