



Fig. 1: Elstein IRH/S infrared radiator. Picture on top and in the middle: front. Lower picture: back

Elstein IRH/S infrared radiators are ceramic radiators being used in room heaters. Surface ratings up to 64.0 kW/m² can be installed.

The biconvex design of the radiator provides a home-like and comfortable impression. Additionally it is advantageous for the radiation distribution in the room. The thermally insulating inner space of IRH/S has a share in improving the radiator's efficiency.

Room heaters can have the design of horizontal or vertical radiator lines, they can be mounted on stands or they can be installed in bigger sizes to wall and ceiling.

IRH/S radiators are fixed to the reflector of the room heater using the Elstein standard socket. Due to this kind of fixing and due to the outer dimensions of the radiator a relatively easy retrofitting of existing systems is possible, when they had before concave heaters with the dimensions 245 x 60 mm for example.

When connected to 230 V the Elstein IRH/S infrared radiators are available in wattages up to 1000 W.

IRH/S

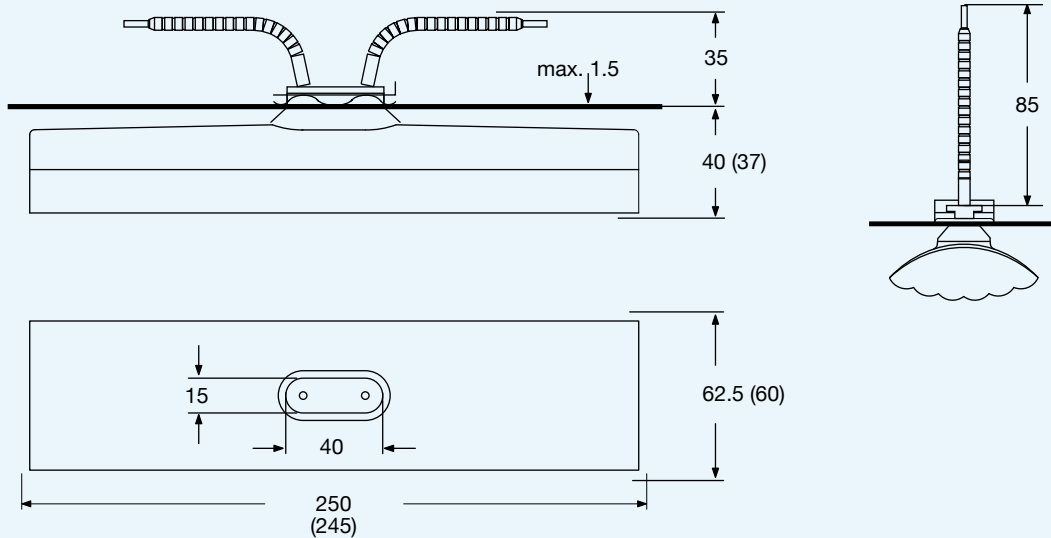
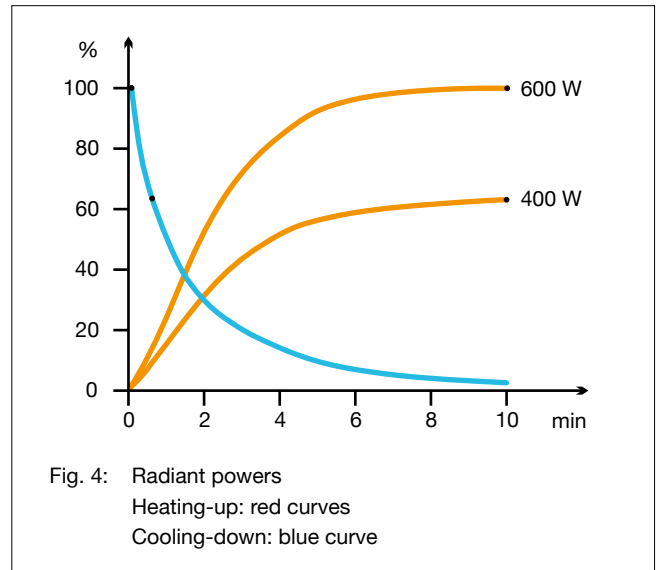
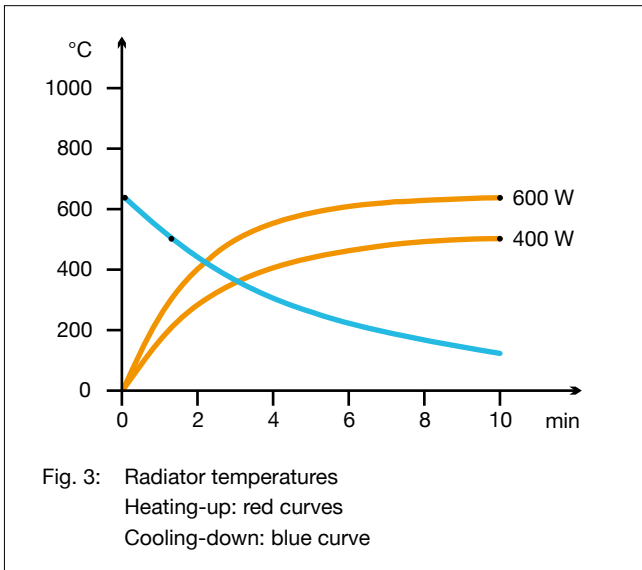



Figure 2: Mounting dimensions and radiator dimensions () in mm



Type, weight, wattage	IRH/S	220 g	400	600	800	1000	W
Surface rating			25.6	38.4	51.2	64.0	kW/m ²
Typical operating temperature			510	630	730	800	°C
Maximum permissible temperature			900	900	900	900	°C
Wavelength range			2 - 10				µm

<p>Standard design</p> <p>Operating voltage 230 V Ceramic hollow casting White glaze Leads 85 mm Elstein standard socket Mounting set</p>	<p>Thermocouple radiators</p> <p>Designation T-IRH/S Integrated thermocouple Type K (NiCr-Ni) TC leads 100 mm</p> 	<p>Variants</p> <p>Special wattages Special voltages Extended leads Leads with ring terminals</p>
--	--	--

The power can be controlled using proprietary power controllers or dimmers.

The national safety regulations must be complied with for the respective application, for example, the IEC or EN standard 60519-1 „Safety in electrical heating installations“.

Our instructions for mounting, operation and safety must be observed.