



Figure 1: Elstein SSH switchboard heater

Elstein SSH switchboard heaters are ceramic infrared radiators in round design with surface ratings of up to 18 kW/m². The typical operating temperature is 200 °C up to 280 °C.

The SSH infrared radiators are used for switchboards in order to avoid the formation of condensation water.

SSH switchboard heaters are delivered with a fixing clip, which allows an easy mounting of the SSH radiator onto 35-mm standard rails. Such standard rails have been mounted already in many switchboards.

The low overall height enables space-saving installation so that the radiator can be mounted in small switchboards and in switchboards being densely equipped.

Elstein SSH switchboard heaters are available with a power of 60 W and 100 W.

SSH

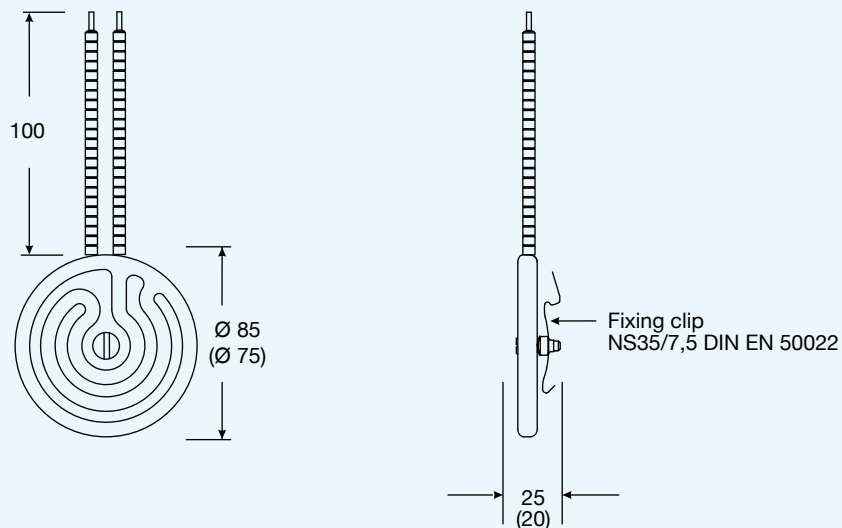
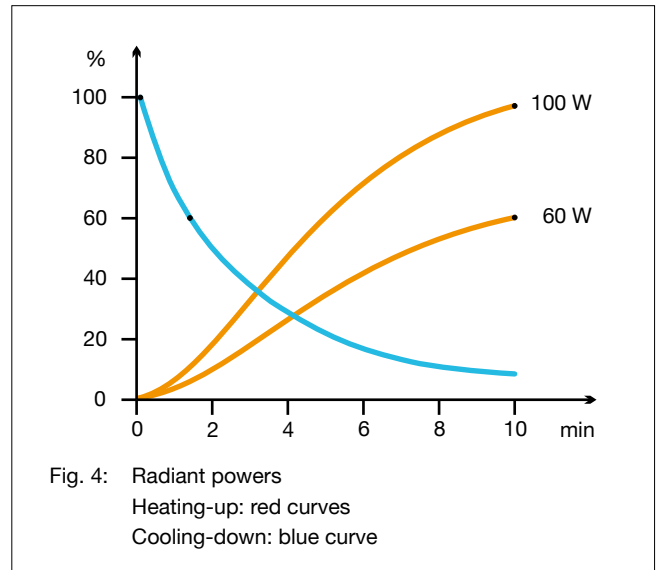
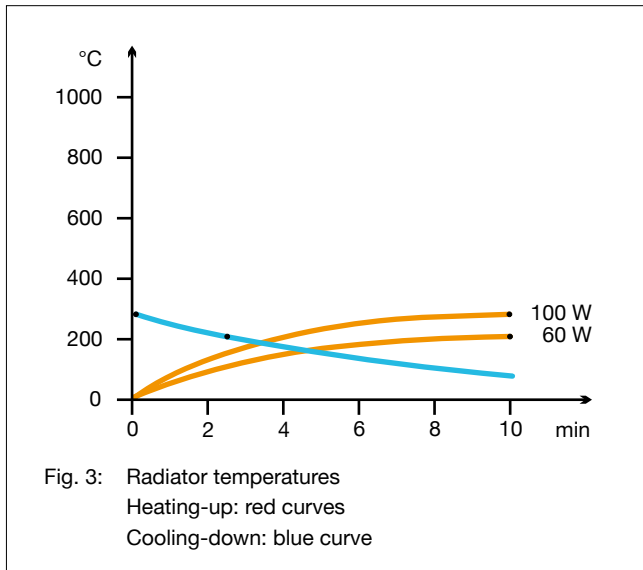


Figure 2: Mounting dimensions and radiator dimensions () in mm



Type, weight, wattage	SSH	75 g	60	100	W
Surface rating			10.6	17.6	kW/m ²
Typical operating temperature			260	350	°C
Maximum permissible temperature			700	700	°C
Wavelength range			2 - 10		µm

<p>Standard design</p> <p>Operating voltage 230 V Ceramic full-pour casting White glaze Leads 100 mm Fixing clip Screw M4 x 16 2x toothed disc A 4,3 Nut M4</p>	<p>Thermocouple radiators</p> <p>Designation T-SSH Integrated thermocouple Type K (NiCr-Ni) TC leads 100 mm</p>	<p>Variants</p> <p>Special wattages Special voltages Extended leads Leads with ring terminals</p>
--	--	--

The power can be controlled using thermocouple radiators together with TRD 1 temperature controllers, TSE thyristor switching units and other accessories.

The national safety regulations must be complied with for the respective application, for example, the IEC or EN standard 60519-1, Safety in electrical heating installations.

Our instructions for mounting, operation and safety must be observed.