



# M090

rtc TYPE

rtc Multicoupling systems  
rtc Multikupplungssysteme type M090





Type	Max. Working Pressure Max. Betriebsdruck	Flow size Nennweite	Connections Anschlüsse	Circuits Kreislauf
rtc M090.09	16 bar	09	6 / 8 / 10 / 12 / 16 / 20 / 24	3 / 4 / 5 / 6 / 8 / 10 / 12
<p>Temperature Range - Temperaturbereich</p> <p>For oil / bei Öl -10°C +200°C (+14°F +392°F) FPM (V)</p> <p>For water / bei Wasser -10°C +160°C (+14°F +320°F) FPM (V)</p>				



#### Specification

Connecting and disconnecting the circuits in one operation for quick mold change

Colour coded plates for circuit definition

#### Eigenschaften

Verbinden und Trennen von mehreren Kreisläufen in einem Arbeitsgang für das schnelle Rüsten

Kennzeichnung von Zu- und Rücklauf durch farbige Platten

#### Applications

Aluminium die casting

Test units

Plastics industry / cooling heating

#### Anwendungen

Aluminiumdruckguß


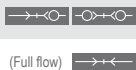

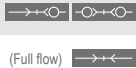




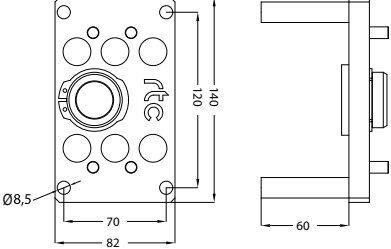

Prüfstände

Kunststoffindustrie / Mehrkreistemperierung / Kühlen Temperieren

# Multikoppelingen RTC Mogo

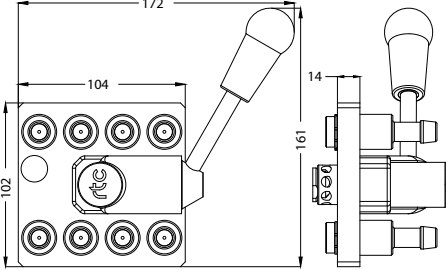






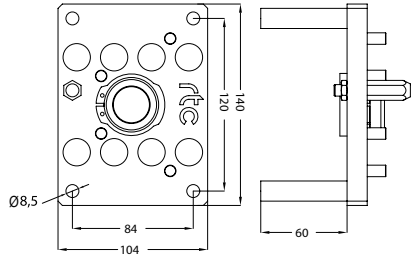

rtc TYPE M 090.09

Flow diameter 9 mm / Nennweite 9 mm

TYPE M 090.09	Mobile side / Versorgerseite		Item code / Artikelnummer								
		<p>Standard hose Schlauchanschluss</p> 	<table border="1"> <tr><td>Ø10</td><td>M 090.09-06 SHB 10</td></tr> <tr><td>Ø12</td><td>M 090.09-06 SHB 12</td></tr> <tr><td>Ø10</td><td>M 090.09-06 SHF 10</td></tr> <tr><td>Ø12</td><td>M 090.09-06 SHF 12</td></tr> </table> 	Ø10	M 090.09-06 SHB 10	Ø12	M 090.09-06 SHB 12	Ø10	M 090.09-06 SHF 10	Ø12	M 090.09-06 SHF 12
	Ø10	M 090.09-06 SHB 10									
	Ø12	M 090.09-06 SHB 12									
Ø10	M 090.09-06 SHF 10										
Ø12	M 090.09-06 SHF 12										
	<p>Push to connect Steckschlauchanschluss</p> 	<table border="1"> <tr><td>Ø10</td><td>M 090.09-06 SPB 10</td></tr> <tr><td>Ø13</td><td>M 090.09-06 SPB 13</td></tr> <tr><td>Ø10</td><td>M 090.09-06 SPF 10</td></tr> <tr><td>Ø13</td><td>M 090.09-06 SPF 13</td></tr> </table> 	Ø10	M 090.09-06 SPB 10	Ø13	M 090.09-06 SPB 13	Ø10	M 090.09-06 SPF 10	Ø13	M 090.09-06 SPF 13	
Ø10	M 090.09-06 SPB 10										
Ø13	M 090.09-06 SPB 13										
Ø10	M 090.09-06 SPF 10										
Ø13	M 090.09-06 SPF 13										
	<p>Female thread Innengewinde</p> 	<table border="1"> <tr><td>BSP 3/8</td><td>M 090.09-06 SFB 17</td></tr> <tr><td>NPT 3/8</td><td>M 090.09-06 SNB 17</td></tr> <tr><td>BSP 3/8</td><td>M 090.09-06 SFF 17</td></tr> <tr><td>NPT 3/8</td><td>M 090.09-06 SNF 17</td></tr> </table> 	BSP 3/8	M 090.09-06 SFB 17	NPT 3/8	M 090.09-06 SNB 17	BSP 3/8	M 090.09-06 SFF 17	NPT 3/8	M 090.09-06 SNF 17	
BSP 3/8	M 090.09-06 SFB 17										
NPT 3/8	M 090.09-06 SNB 17										
BSP 3/8	M 090.09-06 SFF 17										
NPT 3/8	M 090.09-06 SNF 17										
TYPE K 090.09	Mould side / Abnehmerseite		Item code / Artikelnummer								
			<p>Plate for 6 lines / Platte für 6 Anschlüsse</p> <p>K 090.09-06</p> 								

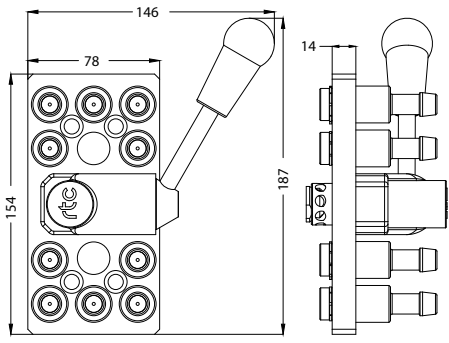






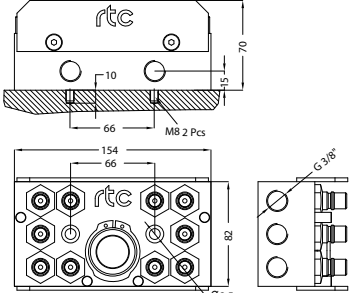


Flow diameter 9 mm / Nennweite 9 mm

TYPE M 090.09 **rtc**

TYPE M 090.09	Mobile side / Versorgerseite		Item code / Artikelnummer
<p>4 ↔ 4</p> 	<p>Standard hose Schlauchanschluss</p>  <p>(Full flow) → ↔ ←</p>	<p>Ø10 Ø12 Ø10 Ø12</p> 	<p>M 090.09-08 SHB 10 M 090.09-08 SHB 12 M 090.09-08 SHF 10 M 090.09-08 SHF 12</p>
	<p>Push to connect Steckschlauchanschluss</p>  <p>(Full flow) → ↔ ←</p>	<p>Ø10 Ø13 Ø10 Ø13</p> 	<p>M 090.09-08 SPB 10 M 090.09-08 SPB 13 M 090.09-08 SPF 10 M 090.09-08 SPF 13</p>
	<p>Female thread Innengewinde</p>  <p>(Full flow) → ↔ ←</p>	<p>BSP 3/8 NPT 3/8 BSP 3/8 NPT 3/8</p> 	<p>M 090.09-08 SFB 17 M 090.09-08 SNB 17 M 090.09-08 SFF 17 M 090.09-08 SNF 17</p>
TYPE K 090.09	Mould side / Abnehmerseite		Item code / Artikelnummer
<p>4 ↔ 4</p> 	<p>Plate for 8 lines / Platte für 8 Anschlüsse</p> 		<p>K 090.09-08</p>

rtc TYPE M 090.09


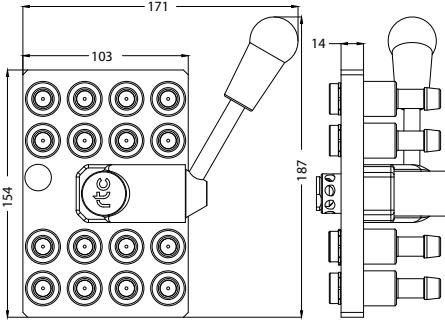



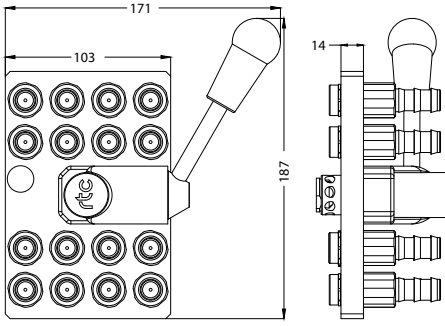



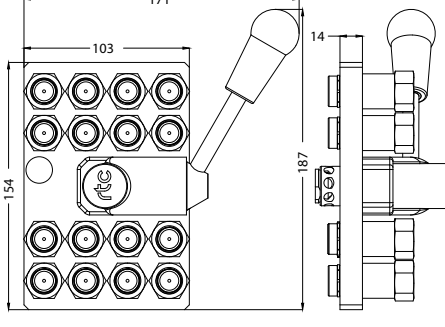




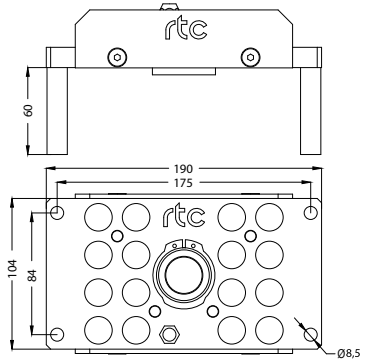

Flow diameter 9 mm / Nennweite 9 mm

TYPE M 090.09	Mobile side / Versorgerseite	Item code / Artikelnummer								
<p>5 ↔ 5</p> 	<p>Standard hose Schlauchanschluss</p> 	<table border="1"> <tr> <td>Ø10</td> <td>M 090.09-10 SHB 10</td> </tr> <tr> <td>Ø12</td> <td>M 090.09-10 SHB 12</td> </tr> <tr> <td>Ø10 (Full flow)</td> <td>M 090.09-10 SHF 10</td> </tr> <tr> <td>Ø12 (Full flow)</td> <td>M 090.09-10 SHF 12</td> </tr> </table> 	Ø10	M 090.09-10 SHB 10	Ø12	M 090.09-10 SHB 12	Ø10 (Full flow)	M 090.09-10 SHF 10	Ø12 (Full flow)	M 090.09-10 SHF 12
	Ø10	M 090.09-10 SHB 10								
	Ø12	M 090.09-10 SHB 12								
Ø10 (Full flow)	M 090.09-10 SHF 10									
Ø12 (Full flow)	M 090.09-10 SHF 12									
<p>Push to connect Steckschlauchanschluss</p> 	<table border="1"> <tr> <td>Ø10</td> <td>M 090.09-10 SPB 10</td> </tr> <tr> <td>Ø13</td> <td>M 090.09-10 SPB 13</td> </tr> <tr> <td>Ø10 (Full flow)</td> <td>M 090.09-10 SPF 10</td> </tr> <tr> <td>Ø13 (Full flow)</td> <td>M 090.09-10 SPF 13</td> </tr> </table> 	Ø10	M 090.09-10 SPB 10	Ø13	M 090.09-10 SPB 13	Ø10 (Full flow)	M 090.09-10 SPF 10	Ø13 (Full flow)	M 090.09-10 SPF 13	
Ø10	M 090.09-10 SPB 10									
Ø13	M 090.09-10 SPB 13									
Ø10 (Full flow)	M 090.09-10 SPF 10									
Ø13 (Full flow)	M 090.09-10 SPF 13									
<p>Female thread Innengewinde</p> 	<table border="1"> <tr> <td>BSP 3/8</td> <td>M 090.09-10 SFB 17</td> </tr> <tr> <td>NPT 3/8</td> <td>M 090.09-10 SNB 17</td> </tr> <tr> <td>BSP 3/8 (Full flow)</td> <td>M 090.09-10 SFF 17</td> </tr> <tr> <td>NPT 3/8 (Full flow)</td> <td>M 090.09-10 SNF 17</td> </tr> </table> 	BSP 3/8	M 090.09-10 SFB 17	NPT 3/8	M 090.09-10 SNB 17	BSP 3/8 (Full flow)	M 090.09-10 SFF 17	NPT 3/8 (Full flow)	M 090.09-10 SNF 17	
BSP 3/8	M 090.09-10 SFB 17									
NPT 3/8	M 090.09-10 SNB 17									
BSP 3/8 (Full flow)	M 090.09-10 SFF 17									
NPT 3/8 (Full flow)	M 090.09-10 SNF 17									
TYPE K 090.09	Mould side / Abnehmerseite	Item code / Artikelnummer								
<p>5 ↔ 5</p> 	<p>Plate with 10 plugs Platte mit 10 Anschlüsse</p> 	<table border="1"> <tr> <td>BSP 3/8</td> <td>K 090.09-10 PMB 17</td> </tr> <tr> <td>BSP 3/8 (Full flow)</td> <td>K 090.09-10 PMF 17</td> </tr> </table> 	BSP 3/8	K 090.09-10 PMB 17	BSP 3/8 (Full flow)	K 090.09-10 PMF 17				
	BSP 3/8	K 090.09-10 PMB 17								
BSP 3/8 (Full flow)	K 090.09-10 PMF 17									

TYPE M 090.09	Mobile side / Versorgerseite		Item code / Artikelnummer												
<div style="border: 1px solid black; padding: 5px; text-align: center;">6 ↔ 6</div>		<p>Standard hose Schlauchanschluss</p>	<table border="1"> <tr> <td></td> <td>Ø10</td> <td>M 090.09-12 SHB 10</td> </tr> <tr> <td></td> <td>Ø12</td> <td>M 090.09-12 SHB 12</td> </tr> <tr> <td>(Full flow) </td> <td>Ø10</td> <td>M 090.09-12 SHF 10</td> </tr> <tr> <td>(Full flow) </td> <td>Ø12</td> <td>M 090.09-12 SHF 12</td> </tr> </table>		Ø10	M 090.09-12 SHB 10		Ø12	M 090.09-12 SHB 12	(Full flow)	Ø10	M 090.09-12 SHF 10	(Full flow)	Ø12	M 090.09-12 SHF 12
		Ø10	M 090.09-12 SHB 10												
		Ø12	M 090.09-12 SHB 12												
	(Full flow)	Ø10	M 090.09-12 SHF 10												
	(Full flow)	Ø12	M 090.09-12 SHF 12												
	<p>Push to connect Steckschlauchanschluss</p>	<table border="1"> <tr> <td></td> <td>Ø10</td> <td>M 090.09-12 SPB 10</td> </tr> <tr> <td></td> <td>Ø13</td> <td>M 090.09-12 SPB 13</td> </tr> <tr> <td>(Full flow) </td> <td>Ø10</td> <td>M 090.09-12 SPF 10</td> </tr> <tr> <td>(Full flow) </td> <td>Ø13</td> <td>M 090.09-12 SPF 13</td> </tr> </table>		Ø10	M 090.09-12 SPB 10		Ø13	M 090.09-12 SPB 13	(Full flow)	Ø10	M 090.09-12 SPF 10	(Full flow)	Ø13	M 090.09-12 SPF 13	
	Ø10	M 090.09-12 SPB 10													
	Ø13	M 090.09-12 SPB 13													
(Full flow)	Ø10	M 090.09-12 SPF 10													
(Full flow)	Ø13	M 090.09-12 SPF 13													
	<p>Female thread Innengewinde</p>	<table border="1"> <tr> <td></td> <td>BSP 3/8</td> <td>M 090.09-12 SFB 17</td> </tr> <tr> <td></td> <td>NPT 3/8</td> <td>M 090.09-12 SNB 17</td> </tr> <tr> <td>(Full flow) </td> <td>BSP 3/8</td> <td>M 090.09-12 SFF 17</td> </tr> <tr> <td>(Full flow) </td> <td>NPT 3/8</td> <td>M 090.09-12 SNF 17</td> </tr> </table>		BSP 3/8	M 090.09-12 SFB 17		NPT 3/8	M 090.09-12 SNB 17	(Full flow)	BSP 3/8	M 090.09-12 SFF 17	(Full flow)	NPT 3/8	M 090.09-12 SNF 17	
	BSP 3/8	M 090.09-12 SFB 17													
	NPT 3/8	M 090.09-12 SNB 17													
(Full flow)	BSP 3/8	M 090.09-12 SFF 17													
(Full flow)	NPT 3/8	M 090.09-12 SNF 17													
	<p>Female thread collector Innengewinde Sammler</p>	<table border="1"> <tr> <td></td> <td>BSP 1</td> <td>M 090.09-12 C 33</td> </tr> <tr> <td></td> <td>NPT 1</td> <td>M 090.09-12 CN 33</td> </tr> </table>		BSP 1	M 090.09-12 C 33		NPT 1	M 090.09-12 CN 33							
	BSP 1	M 090.09-12 C 33													
	NPT 1	M 090.09-12 CN 33													
<div style="border: 1px solid black; padding: 5px; text-align: center;">6 ↔ 6</div>	<p>TYPE K 090.09      Mould side / Abnehmerseite</p>		<p>Item code / Artikelnummer</p> <p>K 090.09-12 K 090.09-12 AD</p>												


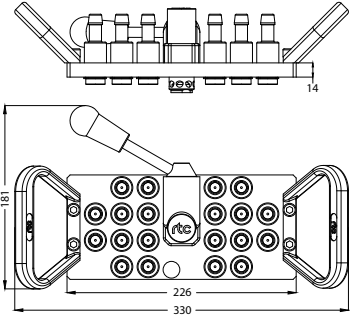
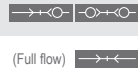

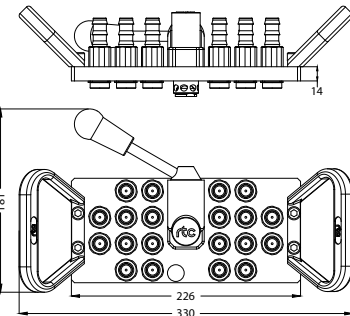
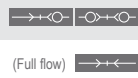

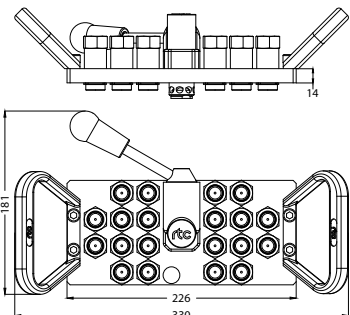
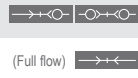

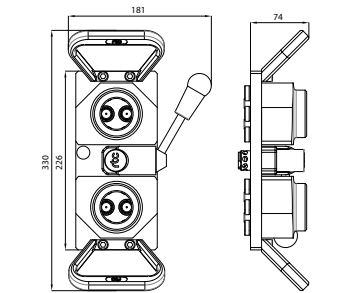



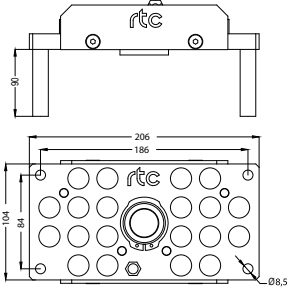
rtc TYPE M 090.09

Flow diameter 9 mm / Nennweite 9 mm

TYPE M 090.09	Mobile side / Versorgerseite	Item code / Artikelnummer											
		<table border="1"> <tr> <td data-bbox="767 309 975 358">Standard hose Schlauchanschluss</td> <td data-bbox="975 286 1236 380">  </td> <td data-bbox="1236 286 1485 380"> <table border="1"> <tr><td>Ø10</td><td>M 090.09-16 SHB 10</td></tr> <tr><td>Ø12</td><td>M 090.09-16 SHB 12</td></tr> <tr><td>Ø10</td><td>M 090.09-16 SHF 10</td></tr> <tr><td>Ø12</td><td>M 090.09-16 SHF 12</td></tr> </table> </td> </tr> </table>	Standard hose Schlauchanschluss		<table border="1"> <tr><td>Ø10</td><td>M 090.09-16 SHB 10</td></tr> <tr><td>Ø12</td><td>M 090.09-16 SHB 12</td></tr> <tr><td>Ø10</td><td>M 090.09-16 SHF 10</td></tr> <tr><td>Ø12</td><td>M 090.09-16 SHF 12</td></tr> </table>	Ø10	M 090.09-16 SHB 10	Ø12	M 090.09-16 SHB 12	Ø10	M 090.09-16 SHF 10	Ø12	M 090.09-16 SHF 12
	Standard hose Schlauchanschluss		<table border="1"> <tr><td>Ø10</td><td>M 090.09-16 SHB 10</td></tr> <tr><td>Ø12</td><td>M 090.09-16 SHB 12</td></tr> <tr><td>Ø10</td><td>M 090.09-16 SHF 10</td></tr> <tr><td>Ø12</td><td>M 090.09-16 SHF 12</td></tr> </table>	Ø10	M 090.09-16 SHB 10	Ø12	M 090.09-16 SHB 12	Ø10	M 090.09-16 SHF 10	Ø12	M 090.09-16 SHF 12		
	Ø10	M 090.09-16 SHB 10											
Ø12	M 090.09-16 SHB 12												
Ø10	M 090.09-16 SHF 10												
Ø12	M 090.09-16 SHF 12												
	<table border="1"> <tr> <td data-bbox="767 730 975 779">Push to connect Steckschlauchanschluss</td> <td data-bbox="975 707 1236 801">  </td> <td data-bbox="1236 707 1485 801"> <table border="1"> <tr><td>Ø10</td><td>M 090.09-16 SPB 10</td></tr> <tr><td>Ø13</td><td>M 090.09-16 SPB 13</td></tr> <tr><td>Ø10</td><td>M 090.09-16 SPF 10</td></tr> <tr><td>Ø13</td><td>M 090.09-16 SPF 13</td></tr> </table> </td> </tr> </table>	Push to connect Steckschlauchanschluss		<table border="1"> <tr><td>Ø10</td><td>M 090.09-16 SPB 10</td></tr> <tr><td>Ø13</td><td>M 090.09-16 SPB 13</td></tr> <tr><td>Ø10</td><td>M 090.09-16 SPF 10</td></tr> <tr><td>Ø13</td><td>M 090.09-16 SPF 13</td></tr> </table>	Ø10	M 090.09-16 SPB 10	Ø13	M 090.09-16 SPB 13	Ø10	M 090.09-16 SPF 10	Ø13	M 090.09-16 SPF 13	
Push to connect Steckschlauchanschluss		<table border="1"> <tr><td>Ø10</td><td>M 090.09-16 SPB 10</td></tr> <tr><td>Ø13</td><td>M 090.09-16 SPB 13</td></tr> <tr><td>Ø10</td><td>M 090.09-16 SPF 10</td></tr> <tr><td>Ø13</td><td>M 090.09-16 SPF 13</td></tr> </table>	Ø10	M 090.09-16 SPB 10	Ø13	M 090.09-16 SPB 13	Ø10	M 090.09-16 SPF 10	Ø13	M 090.09-16 SPF 13			
Ø10	M 090.09-16 SPB 10												
Ø13	M 090.09-16 SPB 13												
Ø10	M 090.09-16 SPF 10												
Ø13	M 090.09-16 SPF 13												
	<table border="1"> <tr> <td data-bbox="767 1151 975 1200">Female thread Innengewinde</td> <td data-bbox="975 1128 1236 1223">  </td> <td data-bbox="1236 1128 1485 1223"> <table border="1"> <tr><td>BSP 3/8</td><td>M 090.09-16 SFB 17</td></tr> <tr><td>NPT 3/8</td><td>M 090.09-16 SNB 17</td></tr> <tr><td>BSP 3/8</td><td>M 090.09-16 SFF 17</td></tr> <tr><td>NPT 3/8</td><td>M 090.09-16 SNF 17</td></tr> </table> </td> </tr> </table>	Female thread Innengewinde		<table border="1"> <tr><td>BSP 3/8</td><td>M 090.09-16 SFB 17</td></tr> <tr><td>NPT 3/8</td><td>M 090.09-16 SNB 17</td></tr> <tr><td>BSP 3/8</td><td>M 090.09-16 SFF 17</td></tr> <tr><td>NPT 3/8</td><td>M 090.09-16 SNF 17</td></tr> </table>	BSP 3/8	M 090.09-16 SFB 17	NPT 3/8	M 090.09-16 SNB 17	BSP 3/8	M 090.09-16 SFF 17	NPT 3/8	M 090.09-16 SNF 17	
Female thread Innengewinde		<table border="1"> <tr><td>BSP 3/8</td><td>M 090.09-16 SFB 17</td></tr> <tr><td>NPT 3/8</td><td>M 090.09-16 SNB 17</td></tr> <tr><td>BSP 3/8</td><td>M 090.09-16 SFF 17</td></tr> <tr><td>NPT 3/8</td><td>M 090.09-16 SNF 17</td></tr> </table>	BSP 3/8	M 090.09-16 SFB 17	NPT 3/8	M 090.09-16 SNB 17	BSP 3/8	M 090.09-16 SFF 17	NPT 3/8	M 090.09-16 SNF 17			
BSP 3/8	M 090.09-16 SFB 17												
NPT 3/8	M 090.09-16 SNB 17												
BSP 3/8	M 090.09-16 SFF 17												
NPT 3/8	M 090.09-16 SNF 17												
TYPE K 090.09	Mould side / Abnehmerseite	Item code / Artikelnummer											
		<table border="1"> <tr> <td data-bbox="767 1574 1236 1612">Plate for 16 lines / Platte für 16 Anschlüsse</td> <td data-bbox="1236 1574 1485 1612">K 090.09-16</td> </tr> </table>	Plate for 16 lines / Platte für 16 Anschlüsse	K 090.09-16									
Plate for 16 lines / Platte für 16 Anschlüsse	K 090.09-16												
													

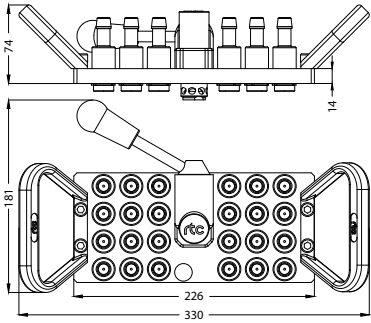
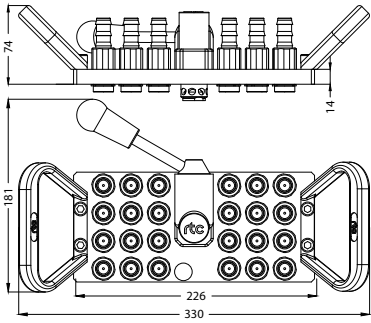
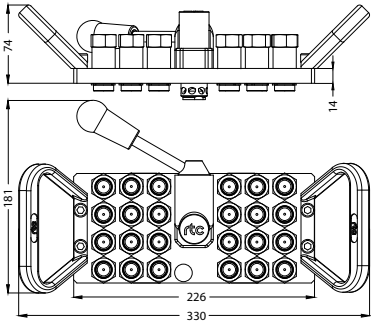
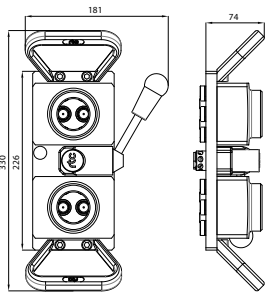











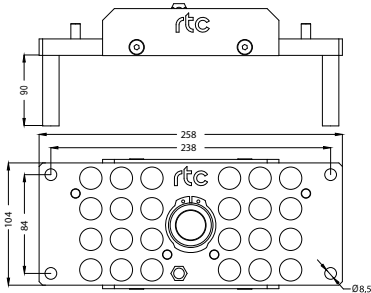

Flow diameter 9 mm / Nennweite 9 mm

TYPE M 090.09 **rtc**

TYPE M 090.09	Mobile side / Versorgerseite		Item code / Artikelnummer
		<p>Standard hose Schlauchanschluss</p>  <p>Ø10 Ø12 (Full flow) Ø10 Ø12</p>	<p>M 090.09-20 SHB 10 M 090.09-20 SHB 12 M 090.09-20 SHF 10 M 090.09-20 SHF 12</p> 
		<p>Push to connect Steckschlauchanschluss</p>  <p>Ø10 Ø13 (Full flow) Ø10 Ø13</p>	<p>M 090.09-20 SPB 10 M 090.09-20 SPB 13 M 090.09-20 SPF 10 M 090.09-20 SPF 13</p> 
		<p>Female thread Innengewinde</p>  <p>BSP 3/8 NPT 3/8 (Full flow) BSP 3/8 NPT 3/8</p>	<p>M 090.09-20 SFB 17 M 090.09-20 SNB 17 M 090.09-20 SFF 17 M 090.09-20 SNF 17</p> 
		<p>Female thread collector Innengewinde Sammler</p>  <p>BSP 1-1/4 NPT 1-1/4</p>	<p>M 090.09-20 C 42 M 090.09-20 CN 42</p> 
		<p>TYPE K 090.09</p> <p>Mould side / Abnehmerseite</p> 	

rtc TYPE M 090.09

Flow diameter 9 mm / Nennweite 9 mm

TYPE M 090.09	Mobile side / Versorgerseite		Item code / Artikelnummer
<p>12 ↔ 12</p>    	<p>Standard hose Schlauchanschluss</p>   <p>Ø10 Ø12 Ø10 Ø12</p>	<p>M 090.09-24 SHB 10 M 090.09-24 SHB 12 M 090.09-24 SHF 10 M 090.09-24 SHF 12</p> 	
	<p>Push to connect Steckschlauchanschluss</p>   <p>Ø10 Ø13 Ø10 Ø13</p>	<p>M 090.09-24 SPB 10 M 090.09-24 SPB 13 M 090.09-24 SPF 10 M 090.09-24 SPF 13</p> 	
	<p>Female thread Innengewinde</p>   <p>BSP 3/8 NPT 3/8 BSP 3/8 NPT 3/8</p>	<p>M 090.09-24 SFB 17 M 090.09-24 SNB 17 M 090.09-24 SFF 17 M 090.09-24 SNF 17</p> 	
	<p>Female thread collector Innengewinde Sammler</p>  <p>BSP 1-1/4 NPT 1-1/4</p>	<p>M 090.09-24 C 42 M 090.09-24 CN 42</p> 	
	<p>TYPE K 090.09</p> <p>12 ↔ 12</p> 	<p>Mould side / Abnehmerseite</p> <p>Plate for 24 lines / Platte für 24 Anschlüsse</p> 	

# Multikoppelingen RTC M090

Flow diameter 9 mm / Nennweite 9 mm

TYPE M 090.09



TYPE M 090.09	Sockets / Kupplungen	Connection / Anschluss	Item code / Artikelnummer
	Standard hose Schlauchanschluss	 Ø10 Ø12 (Full flow) Ø10 Ø12	M 090.09 SHB 10 M 090.09 SHB 12 M 090.09 SHF 10 M 090.09 SHF 12
	Push to connect Steckschlauchanschluss	 Ø10 Ø13 (Full flow) Ø10 Ø13	M 090.09 SPB 10 M 090.09 SPB 13 M 090.09 SPF 10 M 090.09 SPF 13
	Female thread Innengewinde	 BSP 3/8 NPT 3/8 (Full flow) BSP 3/8 NPT 3/8	M 090.09 SFB 17 M 090.09 SNB 17 M 090.09 SFF 17 M 090.09 SNF 17
	For collector Für Sammler	 (Full flow)	M 090.09 SAB 00 M 090.09 SAF 00
TYPE M 090.09	Plugs / Nippel	Connection / Anschluss	Item code / Artikelnummer
	Female thread Innengewinde	 BSP 3/8 NPT 3/8 (Full flow) BSP 3/8 NPT 3/8	M 090.09 PFB 17 M 090.09 PNB 17 M 090.09 PFF 17 M 090.09 PNF 17
	Adapters elbow / Adapter Winkel	Connection / Anschluss	Item code / Artikelnummer
	Standard hose Schlauchanschluss	BSP 3/8 → Ø10 Ø12 NPT 3/8 → Ø10 Ø12	EBH 17/10-90 EBH 17/12-90 EBH 17T/10-90 EBH 17T/12-90
	Push to connect Steckschlauchanschluss	BSP 3/8 → Ø10 Ø13 NPT 3/8 → Ø10 Ø13	EBP 17/10-90 EBP 17/12-90 EBP 17T/10-90 EBP 17T/13-90
	TE 17-17-20 BSP 3/8" Female - BSP 3/8" Male Extention BSP 3/8" Innengewinde - BSP 3/8" Aussengewinde Verlängerung TE 17-N17-20 NPT 3/8" Female - BSP 3/8" Male Extention NPT 3/8" Innengewinde - BSP 3/8" Aussengewinde Verlängerungx		