



# M101

rtc TYPE

rtc Multicoupling systems  
rtc Multikupplungssysteme type M101



# Multikoppelingen RTC M101.10

rtc Multicoupling systems / rtc Multikupplungssysteme type M101



Type	Max. Working Pressure Max. Betriebsdruck	Flow size Nennweite	Circuits Anschlüsse
rtc M101.06	16 bar	06	3 / 6 / 8 / 10 / 12
rtc M101.09	16 bar	09	3 / 4 / 5 / 6 / 8 / 10 / 12
rtc M101.10	16 bar	10	3 / 4 / 5 / 6 / 8 / 10 / 12
rtc M101.12	16 bar	12	3 / 5 / 6 / 9 / 10 / 12
rtc M101.16	16 bar	16	5 / 6

#### Temperature Range - Temperaturbereich

For oil / bei Öl -10°C +200°C - FPM (V)  
For water / bei Wasser -10°C +160°C - FPM (V)



#### Specification

Connecting and disconnecting the circuits in one operation for quick mold change

Colour coded plates for circuit definition  
4 different sizes (Ø6, Ø9, Ø12, Ø16)

#### Eigenschaften

Verbinden und Trennen von mehreren Kreisläufen in einem Arbeitsgang für das schnelle Rüsten

Kennzeichnung von Zu- und Rücklauf durch farbige Platten  
Erhältlich in 4 Nennweiten

#### Applications

Aluminium die casting  
Test units  
Plastics industry / cooling heating

#### Anwendungen

Aluminiumdruckguß  
Prüfstände  
Kunststoffindustrie / Mehrkreistemperierung / kühlen temperieren

# Multikoppelingen RTC M101.10

Flow diameter 10 mm / Nennweite 10 mm

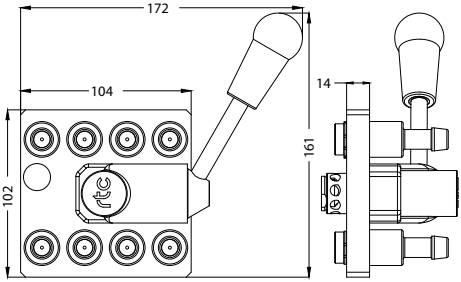

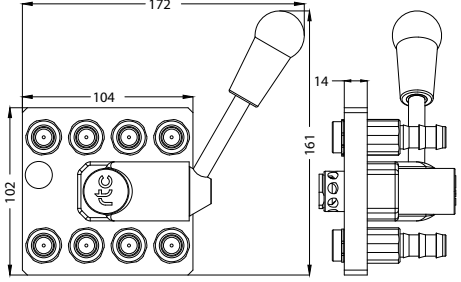

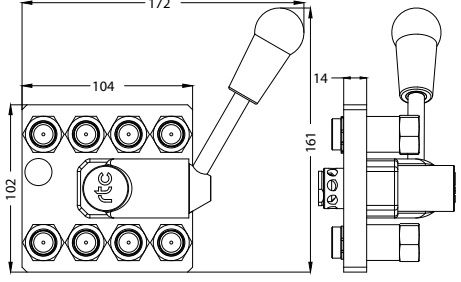

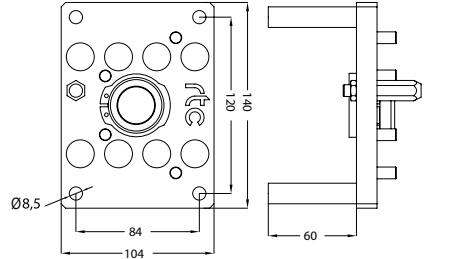

TYPE M 101.10 **rtc**

TYPE M 101.10	Mobile side / Versorgerseite	Item code / Artikelnummer												
<p>3 ↔ 3</p>		<p>Standard hose Schlauchanschluss</p> <table border="1"> <tr> <td></td> <td>Ø10</td> <td>M 101.10-06 SHB 10</td> </tr> <tr> <td></td> <td>Ø12</td> <td>M 101.10-06 SHB 12</td> </tr> <tr> <td>(Full flow) </td> <td>Ø10</td> <td>M 101.10-06 SHF 10</td> </tr> <tr> <td>(Full flow) </td> <td>Ø12</td> <td>M 101.10-06 SHF 12</td> </tr> </table>		Ø10	M 101.10-06 SHB 10		Ø12	M 101.10-06 SHB 12	(Full flow)	Ø10	M 101.10-06 SHF 10	(Full flow)	Ø12	M 101.10-06 SHF 12
		Ø10	M 101.10-06 SHB 10											
		Ø12	M 101.10-06 SHB 12											
(Full flow)	Ø10	M 101.10-06 SHF 10												
(Full flow)	Ø12	M 101.10-06 SHF 12												
	<p>Push to connect Steckschlauchanschluss</p> <table border="1"> <tr> <td></td> <td>Ø10</td> <td>M 101.10-06 SPB 10</td> </tr> <tr> <td></td> <td>Ø13</td> <td>M 101.10-06 SPB 13</td> </tr> <tr> <td>(Full flow) </td> <td>Ø10</td> <td>M 101.10-06 SPF 10</td> </tr> <tr> <td>(Full flow) </td> <td>Ø13</td> <td>M 101.10-06 SPF 13</td> </tr> </table>		Ø10	M 101.10-06 SPB 10		Ø13	M 101.10-06 SPB 13	(Full flow)	Ø10	M 101.10-06 SPF 10	(Full flow)	Ø13	M 101.10-06 SPF 13	
	Ø10	M 101.10-06 SPB 10												
	Ø13	M 101.10-06 SPB 13												
(Full flow)	Ø10	M 101.10-06 SPF 10												
(Full flow)	Ø13	M 101.10-06 SPF 13												
	<p>Female thread Innengewinde</p> <table border="1"> <tr> <td></td> <td>BSP 3/8</td> <td>M 101.10-06 SFB 17</td> </tr> <tr> <td></td> <td>NPT 3/8</td> <td>M 101.10-06 SNB 17</td> </tr> <tr> <td>(Full flow) </td> <td>BSP 3/8</td> <td>M 101.10-06 SFF 17</td> </tr> <tr> <td>(Full flow) </td> <td>NPT 3/8</td> <td>M 101.10-06 SNF 17</td> </tr> </table>		BSP 3/8	M 101.10-06 SFB 17		NPT 3/8	M 101.10-06 SNB 17	(Full flow)	BSP 3/8	M 101.10-06 SFF 17	(Full flow)	NPT 3/8	M 101.10-06 SNF 17	
	BSP 3/8	M 101.10-06 SFB 17												
	NPT 3/8	M 101.10-06 SNB 17												
(Full flow)	BSP 3/8	M 101.10-06 SFF 17												
(Full flow)	NPT 3/8	M 101.10-06 SNF 17												
TYPE K 101.10	Mould side / Abnehmerseite	Item code / Artikelnummer												
<p>3 ↔ 3</p>		<p>Plate for 6 lines / Platte für 6 Anschlüsse</p> <table border="1"> <tr> <td colspan="2"></td> <td>K 101.10-06</td> </tr> </table>			K 101.10-06									
		K 101.10-06												

# Multikoppelingen RTC M101.10

rtc TYPE M 101.10

Flow diameter 10 mm / Nennweite 10 mm

TYPE M 101.10	Mobile side / Versorgerseite	Item code / Artikelnummer												
<p>4 ↔ 4</p> 	<p>Standard hose Schlauchanschluss</p> 	<table border="1"> <tr> <td>→↔←</td> <td>Ø10</td> <td>M 101.10-08 SHB 10</td> </tr> <tr> <td>→↔←</td> <td>Ø12</td> <td>M 101.10-08 SHB 12</td> </tr> <tr> <td>(Full flow) →↔←</td> <td>Ø10</td> <td>M 101.10-08 SHF 10</td> </tr> <tr> <td>(Full flow) →↔←</td> <td>Ø12</td> <td>M 101.10-08 SHF 12</td> </tr> </table>	→↔←	Ø10	M 101.10-08 SHB 10	→↔←	Ø12	M 101.10-08 SHB 12	(Full flow) →↔←	Ø10	M 101.10-08 SHF 10	(Full flow) →↔←	Ø12	M 101.10-08 SHF 12
	→↔←	Ø10	M 101.10-08 SHB 10											
	→↔←	Ø12	M 101.10-08 SHB 12											
(Full flow) →↔←	Ø10	M 101.10-08 SHF 10												
(Full flow) →↔←	Ø12	M 101.10-08 SHF 12												
<p>Push to connect Steckschlauchanschluss</p> 	 <table border="1"> <tr> <td>→↔←</td> <td>Ø10</td> <td>M 101.10-08 SPB 10</td> </tr> <tr> <td>→↔←</td> <td>Ø13</td> <td>M 101.10-08 SPB 13</td> </tr> <tr> <td>(Full flow) →↔←</td> <td>Ø10</td> <td>M 101.10-08 SPF 10</td> </tr> <tr> <td>(Full flow) →↔←</td> <td>Ø13</td> <td>M 101.10-08 SPF 13</td> </tr> </table>	→↔←	Ø10	M 101.10-08 SPB 10	→↔←	Ø13	M 101.10-08 SPB 13	(Full flow) →↔←	Ø10	M 101.10-08 SPF 10	(Full flow) →↔←	Ø13	M 101.10-08 SPF 13	
→↔←	Ø10	M 101.10-08 SPB 10												
→↔←	Ø13	M 101.10-08 SPB 13												
(Full flow) →↔←	Ø10	M 101.10-08 SPF 10												
(Full flow) →↔←	Ø13	M 101.10-08 SPF 13												
<p>Female thread Innengewinde</p> 	 <table border="1"> <tr> <td>→↔←</td> <td>BSP 3/8</td> <td>M 101.10-08 SFB 17</td> </tr> <tr> <td>→↔←</td> <td>NPT 3/8</td> <td>M 101.10-08 SNB 17</td> </tr> <tr> <td>(Full flow) →↔←</td> <td>BSP 3/8</td> <td>M 101.10-08 SFF 17</td> </tr> <tr> <td>(Full flow) →↔←</td> <td>NPT 3/8</td> <td>M 101.10-08 SNF 17</td> </tr> </table>	→↔←	BSP 3/8	M 101.10-08 SFB 17	→↔←	NPT 3/8	M 101.10-08 SNB 17	(Full flow) →↔←	BSP 3/8	M 101.10-08 SFF 17	(Full flow) →↔←	NPT 3/8	M 101.10-08 SNF 17	
→↔←	BSP 3/8	M 101.10-08 SFB 17												
→↔←	NPT 3/8	M 101.10-08 SNB 17												
(Full flow) →↔←	BSP 3/8	M 101.10-08 SFF 17												
(Full flow) →↔←	NPT 3/8	M 101.10-08 SNF 17												
TYPE K 101.10	Mould side / Abnehmerseite	Item code / Artikelnummer												
<p>4 ↔ 4</p> 	<p>Plate for 8 lines / Platte für 8 Anschlüsse</p> 	<p>K 101.10-08</p>												

# Multikoppelingen RTC M101.10

Flow diameter 10mm / Nennweite 10 mm

TYPE M 101.10 **rtc**


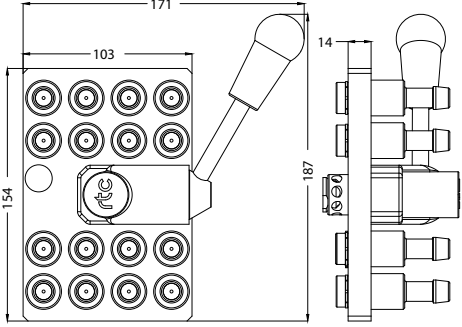
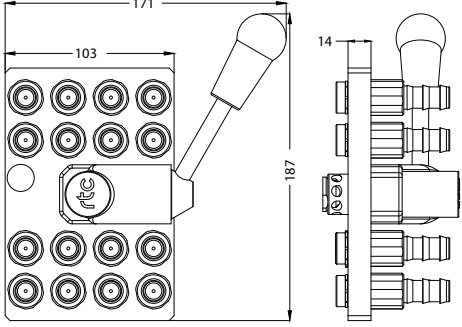
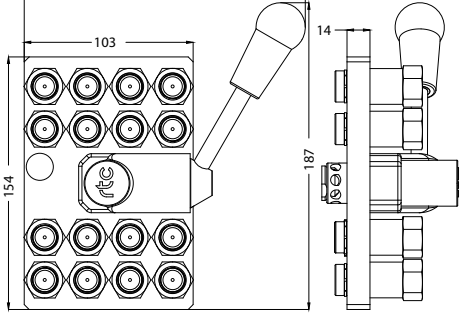

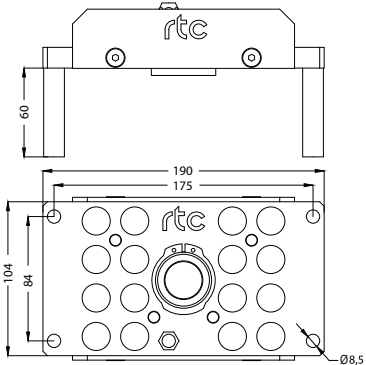

TYPE M 101.10	Mobile side / Versorgerseite	Item code / Artikelnummer										
<p>5 ↔ 5</p>		<p>Standard hose Schlauchanschluss</p>		<table border="1"> <tr><td>Ø10</td><td>M 101.10-10 SHB 10</td></tr> <tr><td>Ø12</td><td>M 101.10-10 SHB 12</td></tr> <tr><td>Ø10</td><td>M 101.10-10 SHF 10</td></tr> <tr><td>Ø12</td><td>M 101.10-10 SHF 12</td></tr> </table>	Ø10	M 101.10-10 SHB 10	Ø12	M 101.10-10 SHB 12	Ø10	M 101.10-10 SHF 10	Ø12	M 101.10-10 SHF 12
	Ø10	M 101.10-10 SHB 10										
	Ø12	M 101.10-10 SHB 12										
Ø10	M 101.10-10 SHF 10											
Ø12	M 101.10-10 SHF 12											
	<p>Push to connect Steckschlauchanschluss</p>		<table border="1"> <tr><td>Ø10</td><td>M 101.10-10 SPB 10</td></tr> <tr><td>Ø13</td><td>M 101.10-10 SPB 13</td></tr> <tr><td>Ø10</td><td>M 101.10-10 SPF 10</td></tr> <tr><td>Ø13</td><td>M 101.10-10 SPF 13</td></tr> </table>	Ø10	M 101.10-10 SPB 10	Ø13	M 101.10-10 SPB 13	Ø10	M 101.10-10 SPF 10	Ø13	M 101.10-10 SPF 13	
Ø10	M 101.10-10 SPB 10											
Ø13	M 101.10-10 SPB 13											
Ø10	M 101.10-10 SPF 10											
Ø13	M 101.10-10 SPF 13											
	<p>Female thread Innengewinde</p>		<table border="1"> <tr><td>BSP 3/8</td><td>M 101.10-10 SFB 17</td></tr> <tr><td>NPT 3/8</td><td>M 101.10-10 SNB 17</td></tr> <tr><td>BSP 3/8</td><td>M 101.10-10 SFF 17</td></tr> <tr><td>NPT 3/8</td><td>M 101.10-10 SNF 17</td></tr> </table>	BSP 3/8	M 101.10-10 SFB 17	NPT 3/8	M 101.10-10 SNB 17	BSP 3/8	M 101.10-10 SFF 17	NPT 3/8	M 101.10-10 SNF 17	
BSP 3/8	M 101.10-10 SFB 17											
NPT 3/8	M 101.10-10 SNB 17											
BSP 3/8	M 101.10-10 SFF 17											
NPT 3/8	M 101.10-10 SNF 17											
TYPE K 101.10	Mould side / Abnehmerseite	Item code / Artikelnummer										
<p>5 ↔ 5</p>		<p>Plate with 10 plugs Platte mit 10 Anschlüsse</p>		<table border="1"> <tr><td>BSP 3/8</td><td>K 101.10-10 PMB 17</td></tr> <tr><td>BSP 3/8</td><td>K 101.10-10 PMF 17</td></tr> </table>	BSP 3/8	K 101.10-10 PMB 17	BSP 3/8	K 101.10-10 PMF 17				
	BSP 3/8	K 101.10-10 PMB 17										
BSP 3/8	K 101.10-10 PMF 17											



# Multikoppelingen RTC M101.10

Flow diameter 10 mm / Nennweite 10 mm

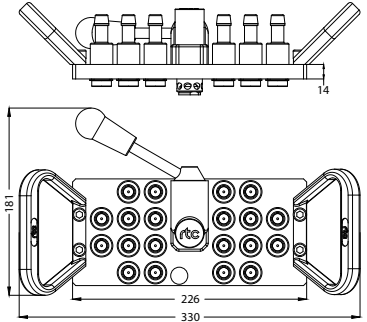

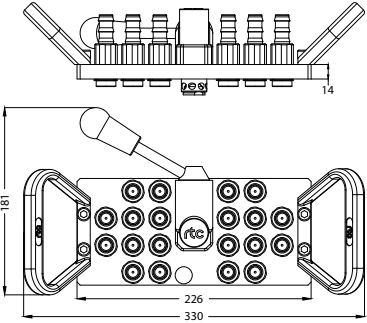

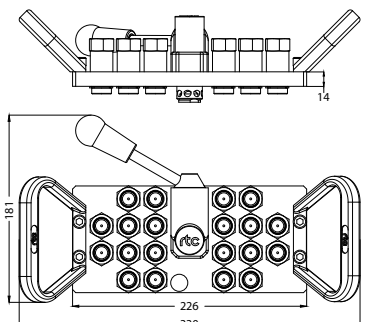

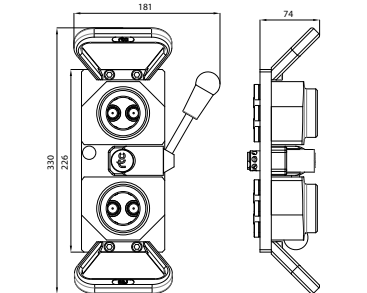
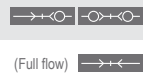
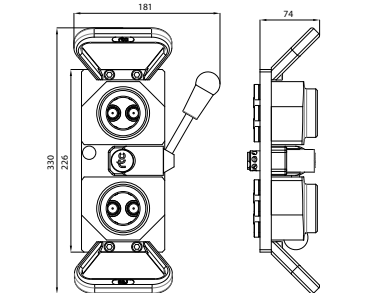

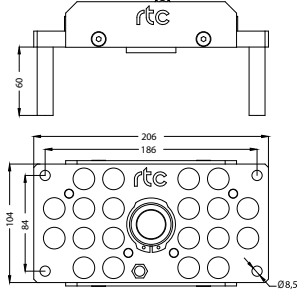

TYPE M 101.10 **rtc**

TYPE M 101.10	Mobile side / Versorgerseite	Item code / Artikelnummer												
		<p>Standard hose Schlauchanschluss</p> <table border="1"> <tr> <td></td> <td>Ø10</td> <td>M 101.10-16 SHB 10</td> </tr> <tr> <td></td> <td>Ø12</td> <td>M 101.10-16 SHB 12</td> </tr> <tr> <td>(Full flow) </td> <td>Ø10</td> <td>M 101.10-16 SHF 10</td> </tr> <tr> <td></td> <td>Ø12</td> <td>M 101.10-16 SHF 12</td> </tr> </table>		Ø10	M 101.10-16 SHB 10		Ø12	M 101.10-16 SHB 12	(Full flow)	Ø10	M 101.10-16 SHF 10		Ø12	M 101.10-16 SHF 12
		Ø10	M 101.10-16 SHB 10											
		Ø12	M 101.10-16 SHB 12											
(Full flow)	Ø10	M 101.10-16 SHF 10												
	Ø12	M 101.10-16 SHF 12												
	<p>Push to connect Steckschlauchanschluss</p> <table border="1"> <tr> <td></td> <td>Ø10</td> <td>M 101.10-16 SPB 10</td> </tr> <tr> <td></td> <td>Ø13</td> <td>M 101.10-16 SPB 13</td> </tr> <tr> <td>(Full flow) </td> <td>Ø10</td> <td>M 101.10-16 SPF 10</td> </tr> <tr> <td></td> <td>Ø13</td> <td>M 101.10-16 SPF 13</td> </tr> </table>		Ø10	M 101.10-16 SPB 10		Ø13	M 101.10-16 SPB 13	(Full flow)	Ø10	M 101.10-16 SPF 10		Ø13	M 101.10-16 SPF 13	
	Ø10	M 101.10-16 SPB 10												
	Ø13	M 101.10-16 SPB 13												
(Full flow)	Ø10	M 101.10-16 SPF 10												
	Ø13	M 101.10-16 SPF 13												
	<p>Female thread Innengewinde</p> <table border="1"> <tr> <td></td> <td>BSP 3/8</td> <td>M 101.10-16 SFB 17</td> </tr> <tr> <td></td> <td>NPT 3/8</td> <td>M 101.10-16 SNB 17</td> </tr> <tr> <td>(Full flow) </td> <td>BSP 3/8</td> <td>M 101.10-16 SFF 17</td> </tr> <tr> <td></td> <td>NPT 3/8</td> <td>M 101.10-16 SNF 17</td> </tr> </table>		BSP 3/8	M 101.10-16 SFB 17		NPT 3/8	M 101.10-16 SNB 17	(Full flow)	BSP 3/8	M 101.10-16 SFF 17		NPT 3/8	M 101.10-16 SNF 17	
	BSP 3/8	M 101.10-16 SFB 17												
	NPT 3/8	M 101.10-16 SNB 17												
(Full flow)	BSP 3/8	M 101.10-16 SFF 17												
	NPT 3/8	M 101.10-16 SNF 17												
TYPE K 101.10	Mould side / Abnehmerseite	Item code / Artikelnummer												
		<p>Plate for 16 lines / Platte für 16 Anschlüsse</p>												
		K 101.10-16												
														

# Multikoppelingen RTC M101.10

rtc TYPE M 101.10

Flow diameter 10 mm / Nennweite 10 mm

TYPE M 101.10	Mobile side / Versorgerseite	Item code / Artikelnummer	
<p>10 ↔ 10</p>  	<p>Standard hose Schlauchanschluss</p> 	 <p>Ø10 Ø12 Ø10 Ø12</p> <p>(Full flow)</p>	<p>M 101.10-20 SHB 10 M 101.10-20 SHB 12 M 101.10-20 SHF 10 M 101.10-20 SHF 12</p>
	<p>Push to connect Steckschlauchanschluss</p> 	 <p>Ø10 Ø13 Ø10 Ø13</p> <p>(Full flow)</p>	<p>M 101.10-20 SPB 10 M 101.10-20 SPB 13 M 101.10-20 SPF 10 M 101.10-20 SPF 13</p>
	<p>Female thread Innengewinde</p> 	 <p>BSP 3/8 NPT 3/8 BSP 3/8 NPT 3/8</p> <p>(Full flow)</p>	<p>M 101.10-20 SFB 17 M 101.10-20 SNB 17 M 101.10-20 SFF 17 M 101.10-20 SNF 17</p>
	<p>Female thread collector Innengewinde Sammler</p> 	 <p>BSP 1.1/4 NPT 1.1/4</p>	<p>M 101.10-20 C 42 M 101.10-20 CN 42</p>
	<p>10 ↔ 10</p> 	<p>Plate for 20 lines / Platte für 20 Anschlüsse</p> 	<p>Item code / Artikelnummer</p> <p>K 101.10-20</p>

# Multikoppelingen RTC M101.10

Flow diameter 10 mm / Nennweite 10 mm

TYPE M 101.10 **rtc**

TYPE M 101.10	Mobile side / Versorgerseite	Item code / Artikelnummer		
<p>12 ↔ 12</p>		<p>Standard hose Schlauchanschluss</p>	<p>Ø10 Ø12 Ø10 Ø12</p> <p>(Full flow)</p>	<p>M 101.10-24 SHB 10 M 101.10-24 SHB 12 M 101.10-24 SHF 10 M 101.10-24 SHF 12</p>
		<p>Push to connect Steckschlauchanschluss</p>	<p>Ø10 Ø13 Ø10 Ø13</p> <p>(Full flow)</p>	<p>M 101.10-24 SPB 10 M 101.10-24 SPB 13 M 101.10-24 SPF 10 M 101.10-24 SPF 13</p>
		<p>Female thread Innengewinde</p>	<p>BSP 3/8 NPT 3/8 BSP 3/8 NPT 3/8</p> <p>(Full flow)</p>	<p>M 101.10-24 SFB 17 M 101.10-24 SNB 17 M 101.10-24 SFF 17 M 101.10-24 SNF 17</p>
		<p>Female thread collector Innengewinde Sammler</p>	<p>BSP 1.1/4 NPT 1.1/4</p>	<p>M 101.10-24 C 42 M 101.10-24 CN 42</p>
	<p>12 ↔ 12</p>	<p>TYPE K 101.10</p> <p>Mould side / Abnehmerseite</p>	<p>Plate for 24 lines / Platte für 24 Anschlüsse</p> <p>Item code / Artikelnummer</p> <p>K 101.10-24</p>	

# Multikoppelingen RTC M101.10



TYPE M 101.10

Flow diameter 10 mm / Nennweite 10 mm

TYPE M 101.10	Sockets / Kupplungen		Item code / Artikelnummer
	Standard hose Schlauchanschluss	 Ø10 Ø12 Ø10 Ø12	M 101.10 SHB 10 M 101.10 SHB 12 M 101.10 SHF 10 M 101.10 SHF 12
	Push to connect Steckschlauchanschluss	 Ø10 Ø13 Ø10 Ø13	M 101.10 SPB 10 M 101.10 SPB 13 M 101.10 SPF 10 M 101.10 SPF 13
	Female thread Innengewinde	 BSP 3/8 NPT 3/8 BSP 3/8 NPT 3/8	M 101.10 SFB 17 M 101.10 SNB 17 M 101.10 SFF 17 M 101.10 SNF 17
	For collector Für Einbau		M 101.10 SAB 00 M 101.10 SAF 00
TYPE M 101.10	Plugs / Nippel		Item code / Artikelnummer
	Female thread Innengewinde	 BSP 3/8 NPT 3/8 BSP 3/8 NPT 3/8	M 101.10 PFB 17 M 101.10 PNB 17 M 101.10 PFF 17 M 101.10 PNF 17
TYPE K 101.10	Adapters elbow / Adapter Winkel		Item code / Artikelnummer
	Standard hose Schlauchanschluss	BSP 3/8 → Ø10 Ø12 NPT 3/8 → Ø10 Ø12	EBH 17/10-90 EBH 17/12-90 EBH 17T/10-90 EBH 17T/12-90
	Push to connect Steckschlauchanschluss	BSP 3/8 → Ø10 Ø13 NTP 3/8 → Ø10 Ø13	EBP 17/10-90 EBP 17/13-90 EBP 17T/10-90 EBP 17T/13-90
	TE 17 - 20 BSP 3/8" Female - BSP 3/8" Male Extention BSP 3/8" Innengewinde - BSP 3/8" Aussengewinde Verlängerung TEN 17 - 20 NPT 3/8" Female - BSP 3/8" Male Extention NPT 3/8" Innengewinde - BSP 3/8" Aussengewinde Verlängerung		